

Pole Terminal nextgen™ WBT-0710

The perfect loudspeaker terminal for audiophiles

WBT

WBT-0710 E

○ Copper, gold plated
WBT-0710 Cu

○ Copper, matt chrome
WBT-0710 Cu mC

○ Silver
WBT-0710 Ag



Pole Terminal nextgen™ WBT-0710

The perfect loudspeaker terminal for audiophiles with nextgen™ technology

Made in Germany

Int. Patent EP 1 470 620

The WBT-0710 pole terminal with nextgen™ technology is unique in its design and properties. It is ideal for all audiophiles who want to equip or upgrade their amplifiers' and/or loudspeakers' with especially high value components. Measuring instruments also only function more accurately when connecting terminals possessing at least the same state-of-the-art technology are employed.

The nextgen™ pole terminal WBT-0710 is available in three versions:

- WBT-0710 Cu** with a highly pure copper signal conductor, gold plated
- WBT-0710 Cu mC** as above, but with a matt chrome finish
- WBT-0710 Ag** with a fine silver signal conductor, passivated

The Concept

The patented WBT-0710 pole terminal fully adopts the new WBT nextgen™ principle. The signal conductors are made from highly pure copper or silver and in consequence offers the maximum conductivity. They are intentionally built from one piece so that any further transition resistance will not occur. An additional damping ring made from elastomer prevents resultant vibrations at the contact level. All this provides for an ultra fast signal transmission from your pole terminal WBT-0710, full of vibrancy and life. A further innovation comes from the conductor which is embedded in a matrix of glass fibre and mineral strengthened plastic, thereby complete shock hazard protection is guaranteed.



Connectivity

Notwithstanding the innovative construction, your WBT-0710 provides all the current connection options. They accept 4mm banana plugs as well as spades (8 and 6 mm fork width) or crimped cable ends up to 4 mm² cable cross section. Bi-Wiring is possible with the power bridges WBT-0725 or WBT-0726. (Please note: in this case, the distance between two terminal centres should be at least 30 mm in width and exactly 60 mm in height).

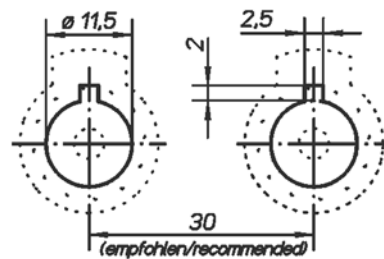


Internal Connection

The connection lug for the internal cabling allows soldering as well as the use of a flat cable shoe (also screw-on, if appropriate). The lug possesses a small hole for this purpose. According to requirements, the lug can be bent by hand.

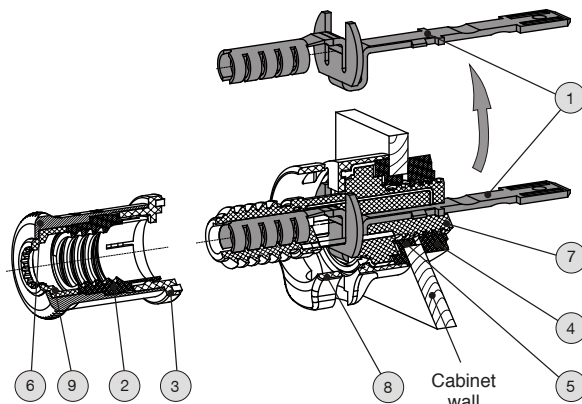
Mounting

The pole terminal WBT-0710 is suitable for installation in measuring and control amplifiers with a chassis wall thickness up to 2.5 mm (up to 4.5 mm without the puzzle plate). Mounting plates should be used for mounting onto a loudspeaker. The recommended minimum distance is 30 mm (see drilling scheme). The black puzzle plates can be clipped together with distances of 30 mm and 19 mm. This new WBT design prevents your WBT-0710 from twisting.



Installation Dimensions

- Chassis borehole 11.5 mm Ø, with slot 2.5 x 2 mm for twist prevention
- Minimum distance between two terminals centres: 30 mm
- Outer chassis overhang: 34.5 mm (max.)



Component List

- 1 Signal Conductor (Cu or Ag)
- 2 Pressure Nut
- 3 Pressure Ring (with internal damping ring)
- 4 Counter Nut
- 5 Double Step Washer
- 6 Adjusting Nut Cap
- 7 Base Element
- 8 Insulation Bowl
- 9 Marking Ring

Operating Characteristics:

- Constant current $I_D > 40 A$
- Admissible peak current $I_S > 200 A$
- Transmission resistance $R_{\Sigma} \leq 0.1 m\Omega$

WBT-0710 is fully insulated and shock hazard safe upto 500 V.

Important Information

WBT accepts no liability for incorrect use.

Recommended Materials

- WBT silver solder (3% Ag), lead free

Excerpts from the WBT Delivery Programme

WBT-0680 Cu/Ag Sandwich Spade Fully insulated cable shoe with signal conductor made from pure copper or fine silver. Fork with special sandwich construction with elastomer.

WBT-0110 Cu/Ag RCA Connector nextgen™ Coaxial plug with conductor made of pure copper or fine silver. 75 Ohm characteristic impedance. The ideal counterpart to the WBT-0210 Cu.

WBT-0210 Cu/Ag RCA Socket nextgen™ As above but coaxial socket for cabinet mounting.

WBT Mounting Plates In varying sizes. Also suitable for Bi-Wiring. With boreholes for WBT pole terminals. Complete with screws and cellular rubber sealing.

WBT Silver Solder Available in various sizes.

WBT is a registered trademark of WBT.
nextgen™ is a registered trademark of WBT.

Detailed product information available.
Design and specifications subject to change without notice.

© WBT-Distribution GmbH · Im Teelbruch 103 · 45219 Essen · Germany
Tel.: +49 (0) 2054 87 552-0 · Fax: +49 (0) 2054 87 552-22
e-mail: info@wbt.de · Internet: www.wbt.de

¹ The European Norm stipulates that audio equipment for use in the home may no longer possess 4 mm insertion holes for use with banana plugs. Therefore, as obligated, we have included two blanking plugs within the pack for closing the holes.