

Component List

1	Signal conductor, pure copper	1
2	Pressure Nut PA 6.6, fibre-glass reinforced	1
3	Pressure Ring with internal damping ring	1
4	Counter Nut, PA 6.6, fibre-glass reinforced	1
5	Double Step Washer PA 6.6	1
6	Adjusting Nut Cap, Ms	1
7	Base Element Tedur ³⁾	1
8	Isolation Bowl, Makrolon ²⁾	1
9	Marking Ring	1
10	VA reinforcement (stainless steel)	1
11	Covering ring brass	1
Extent of delivery 1 – 11 mounted		
Revision date 29.08.2007		

¹⁾ Elastolan 95 is a registered trademark of Elastolan AB • ²⁾ Makrolon is a registered trademark of Bayer AG • ³⁾ Tedur is a registered trademark of Albis Plastic GmbH • WBT and nextgen are registered trademarks of WBT GmbH

WBT-0710 nextgen™ Pole Terminal

(International Patent EP 1 470 620)

Pole terminal for cabinet wall mounting, *plug- / solder version*

1. Mechanics

- One piece, low tolerance contact element (Tol. < ± 0.02 mm)
- Fully insulated construction

2. Materials

- Signal Conductor (1) Pure copper
- Base Element (7) Tedur™, PA mineralized, fibre-glass reinforced
- Counter Nut (4) and Pressure Nut (2) PA, fibre-glass reinforced
- Marking Ring (9) and Double Step Washer (5) PA 6,6
- Damping Ring in (3) Elastolan 95¹⁾
- Pressure Ring (3) and Insulation Bowl (8) Makrolon²⁾
- Adjusting Nut Cap (6), Covering Ring (11) brass
- Reinforcement (10) stainless steel, non ferromagnetic

3. Surfaces

- Signal Conductor: 24-K direct gold plating, Au 0.3 μ m, Nickel-free, non ferromagnetic
- Adjusting Nut Cap: Velours Chromium finish (Ni)

4. Operating Characteristics (reliably observed after more than 10³ connections/disconnections)

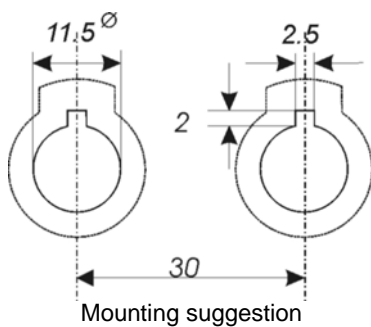
- Permanent current $I_D \geq 30$ A
- Peak current $I_S \geq 200$ A
- Transition resistance $R_{tr} < 0.1$ mOhm (measured with spade connection)
- Contact resistance $R_{DCu} < 0.15$ mOhm (measured with spade connection)
- Insulation resistance $R_{iso} > 10^{10}$ ohm (500V)

5. Connection Options

- solder (optimal for cable up to 4 mm²/11 AWG)
- plug (for 6.3 mm flat push-on cable shoe)

6. Mounting

- Chassis drill hole $\varnothing 11.5^{+0.2}$ mm with slot 2.5x2 mm for twist prevention (see drilling scheme)
- For wall thickness from 0.9 to 6.5 mm. With puzzle plate (s. picture on left) WBT-9410: from 0.9 to 4.5 mm
- Recommended distance between two terminal centres: 30 mm
- Recommended tightening torque for the counter nut (4): 0.8 Nm



WBT-0710 Cu mC
RoHS compliant